

Technical bulletin N 73 - 2018.03

New profile E68606 for adapting system E68 in façade construction


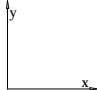
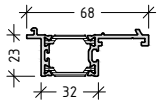
Content:

- Table
- Profile 1:1
- Sections E68 High+ and E68 Standard+

The profile is compatible with all variations of E68.

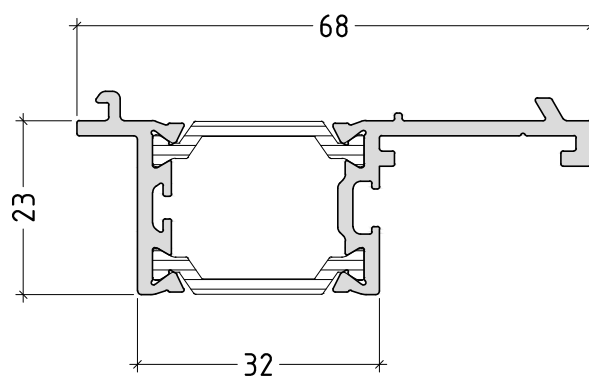
opening system with thermal break

E68

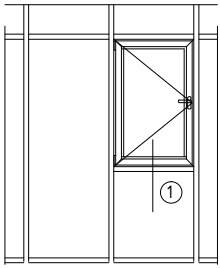
code	 profile	weight length moment of inertia	code	 profile	weight length moment of inertia
E68606 adapter for facade		865 g/m L=6.01 m $I_x=1.49 \text{ cm}^4$ $I_y=10.96 \text{ cm}^4$			

L68-03

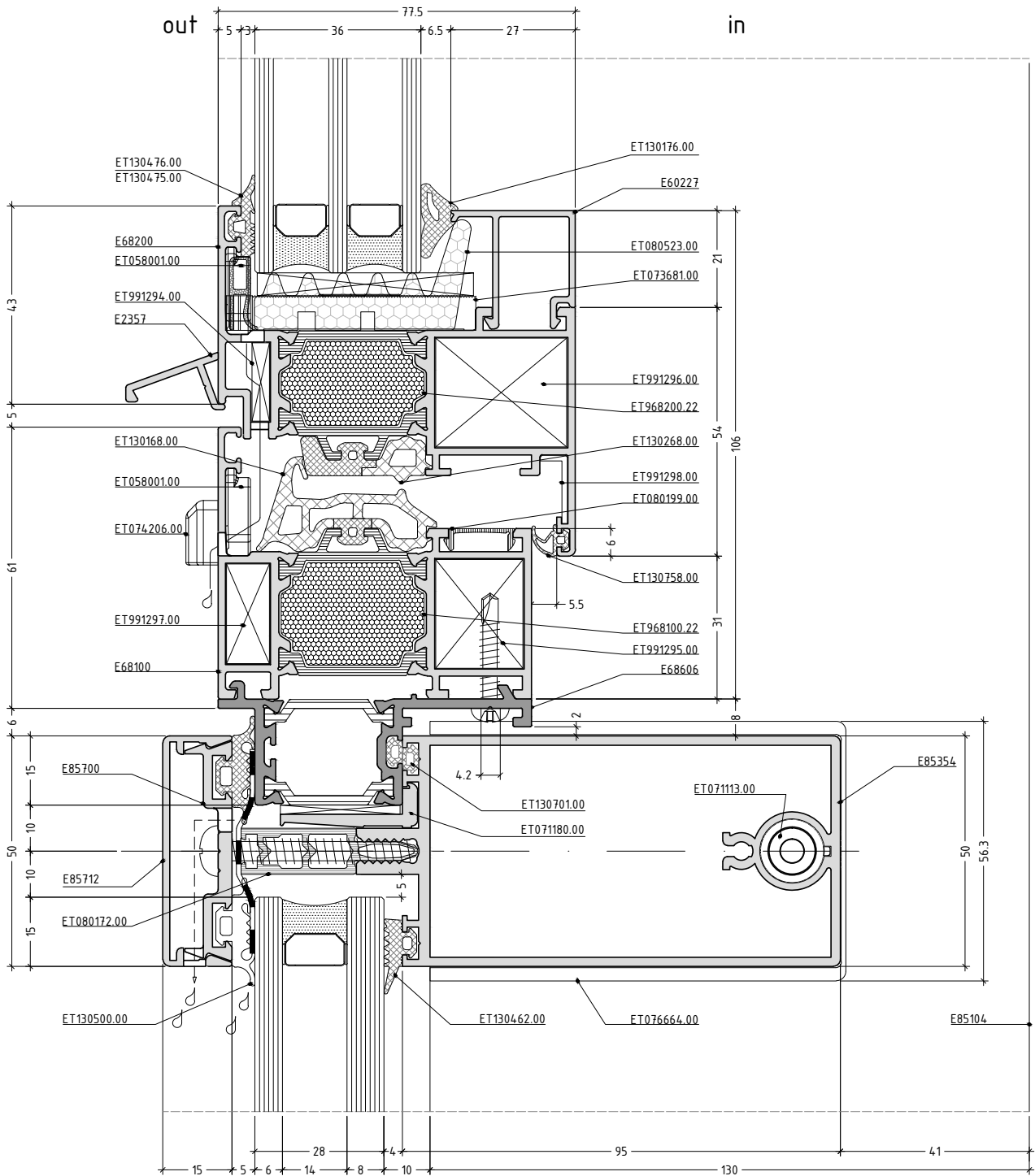
E68606
adapter for facade
865 g/m



scale : 1:1



①



scale : 3/4

