

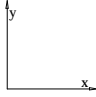
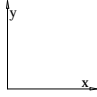
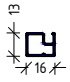
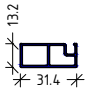
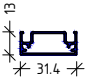
Technical bulletin N 75 - 2018.07

New standard profiles for fly screen

Content:

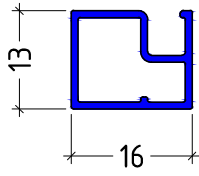
- Table
- Profile 1:1
- Accessory
- Machining

fly screens

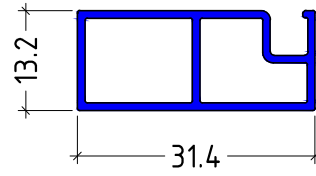
code		profile	weight length moment of inertia	code		profile	weight length moment of inertia
41110			148 g/m L=6.01 m				
41111			275 g/m L=6.01 m				
41112			283 g/m L=6.01 m				

fly screens

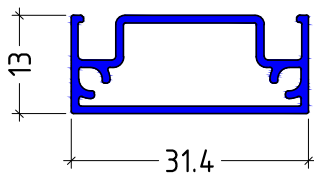
41110
148 g/m



41111
275 g/m



41112
283 g/m



scale : 1:1

fly screens

code/description	package/pcs	colour
ET 081453.01	-	●

hinge for mosquito - white



ET 081454.01	-	●
--------------	---	---

handle for mosquito - white



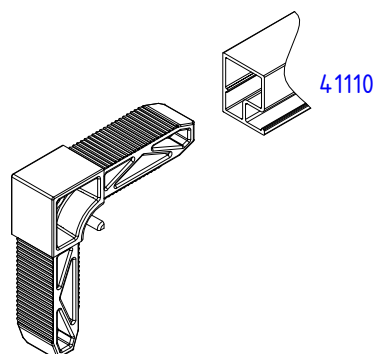
ET 081455.01	-	●
--------------	---	---

catch for mosquito - white



ET 081451.01	-	●
--------------	---	---

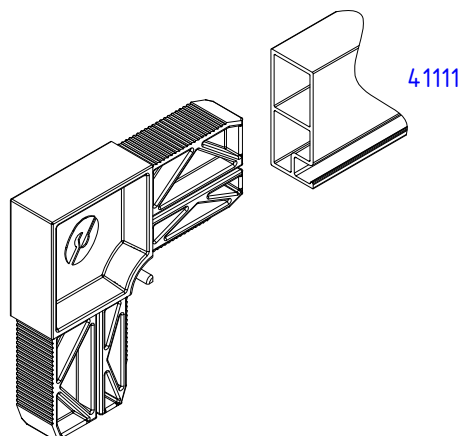
corner for mosquito 90°
window - 9010



fly screens

code/description	package/pcs	colour
ET 081452.01	-	●

corner for mosquito 90°
door - 9010



ET 081456.01	-	●
--------------	---	---

mosquito magnet - white

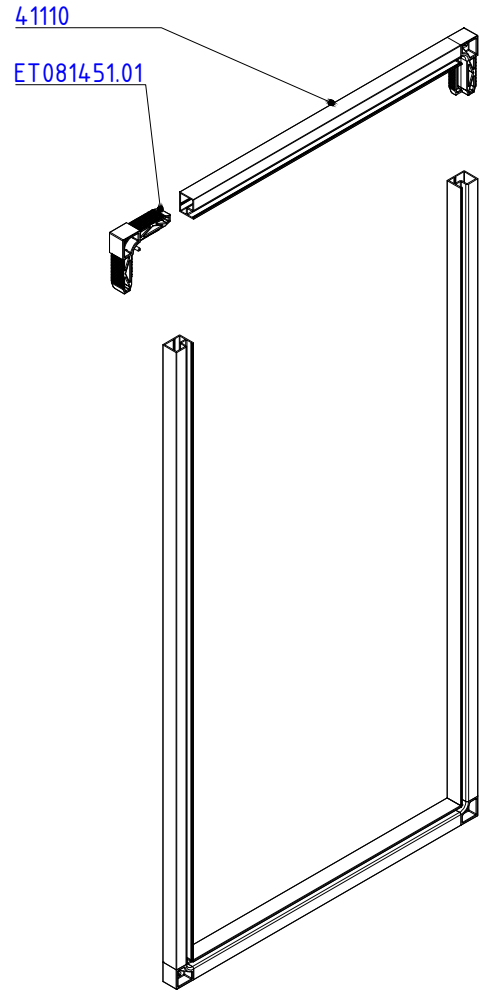
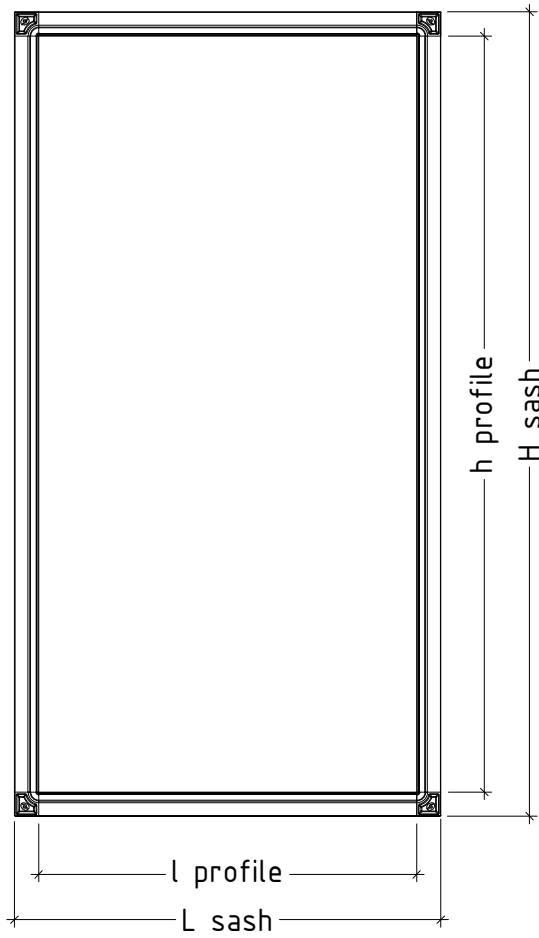


--	--	--

--	--	--

fly screens

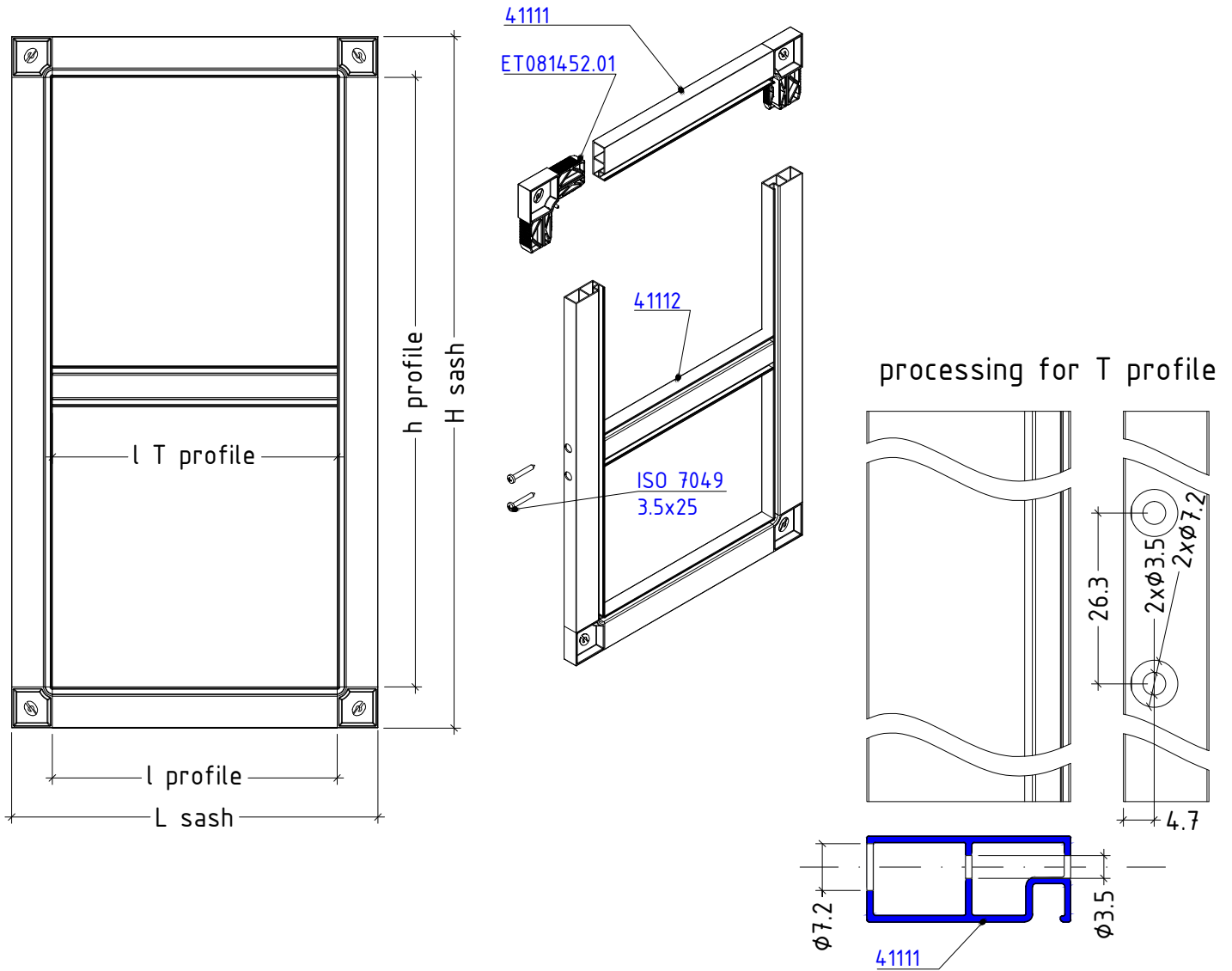
Sequence of assembly of fly screen for windows




profile selection	description	pieces	cutting formula	cutting angles
 4110	l profile	2	W - 32	2x90°
	h profile	2	H - 32	2x90°

fly screens

Sequence of assembly of fly screen for doors



profile selection	description	pieces	cutting formula	cutting angles
4111 	l profile	2	W - 62.8	2x90°
	h profile	2	H - 62.8	2x90°
4112 	l T-profile	1	W - 62.8	2x90°